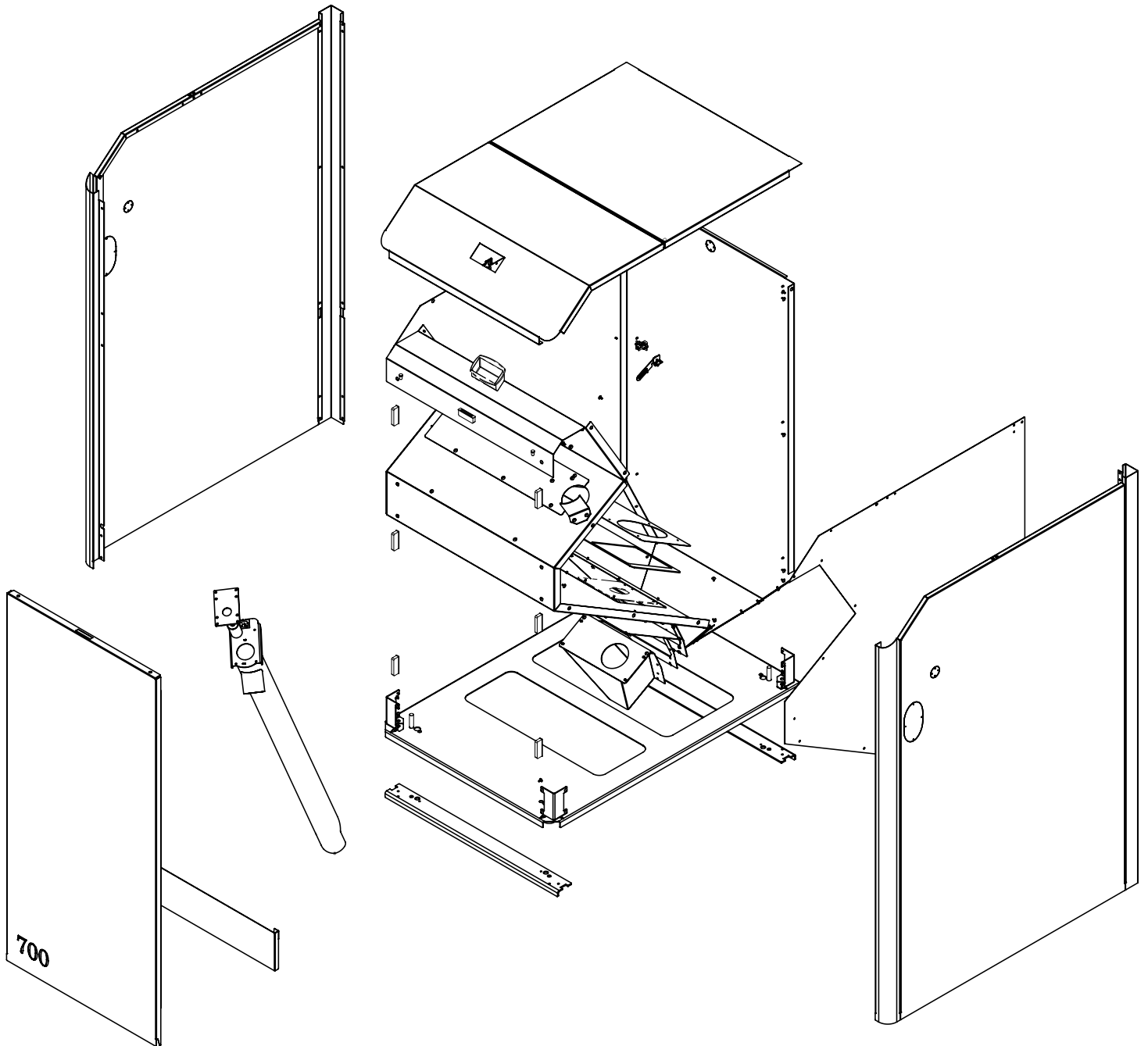


DATASHEET:

RTB HOPPER 700

PHOENIX





DATASHEET: RTB HOPPER 700 PHOENIX

Product Name	RTB Phoenix Hopper 700
SKU	901320
Compatible w/	RTB 10 Phoenix RTB 16 Phoenix RTB 30 Phoenix
Estimated Capacity (kgs)	330
Capacity (l)	500
Width (mm)	700
Depth (mm)	1000
Height (mm)	1448
Height w/ lid open (mm)	1915
Weight (kgs)	102

